



Cool new mechanism with tilt bar and exposed control mechanism. 50 mm solid wood slats,- bottom rail. Ladder tape standard.

Options

Orientation side 1103 Lift right - Tilt left
1104 Lift left - Tilt right

Fixation 1330 Universal "U" brackets

Orientation system ¹⁾ 1202 Cord- Cord

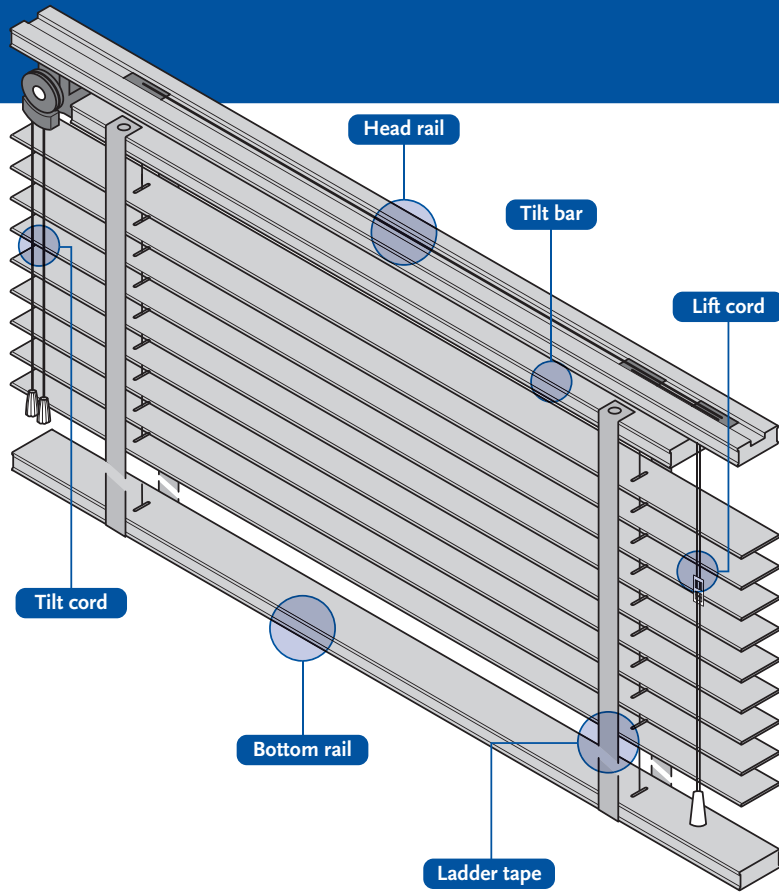
Properties

Slat material	High quality painted wood		
Slat width	50 mm		
Profiles	Headrail	wood	51 x 16 mm
	Tilt-bar	wood	51 x 16 mm
	Bottom rail	wood	51 x 16 mm
Cord	Polyester	lifting	2 mm
		tilting	3 mm
Laddertape	Polyester 53 x 44 x 25 mm		

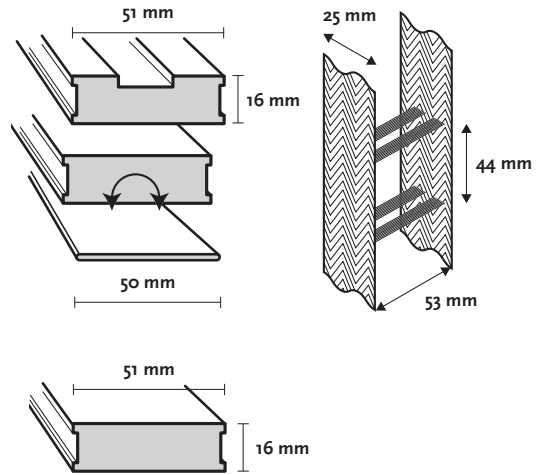
Sundries

¹⁾ **Length orientation** Standard 2/3 of the height
Special length on request

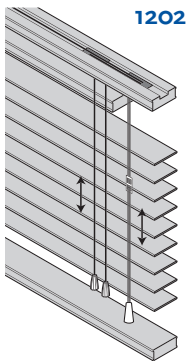
Color coordinated components On request for projects



General Topics System V20/50



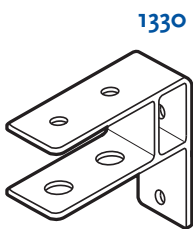
Orientation options



Size restrictions

Orientation option	Sizes in cm			
	width	height	sq.m.	
1202	Max.	210	300	5
	Min.	45	40	0,18

Fixation options



Stacking height

Sizes in mm	
Height (A)	Height (B)
500	150
1000	190
1500	230
2000	270
2500	310
3000	350

All systems and their accessories are subject to change